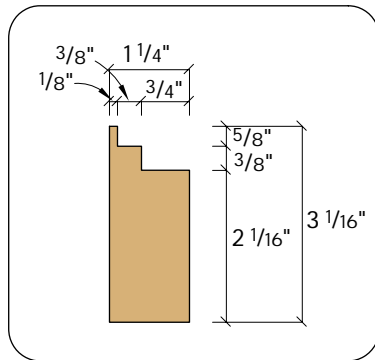
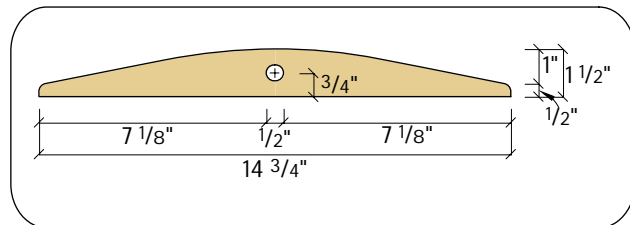


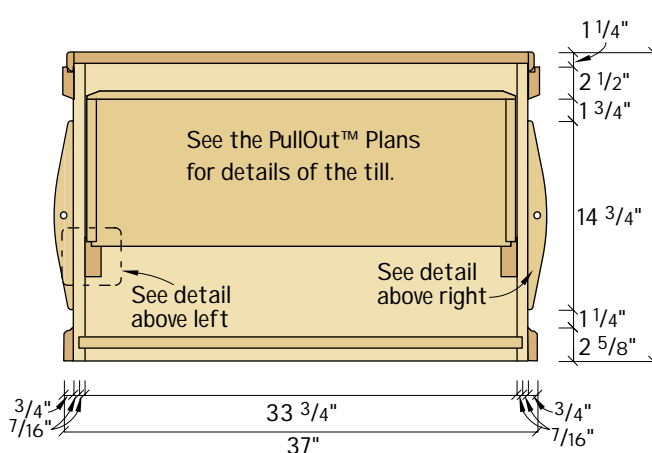
Detail of back corner of case



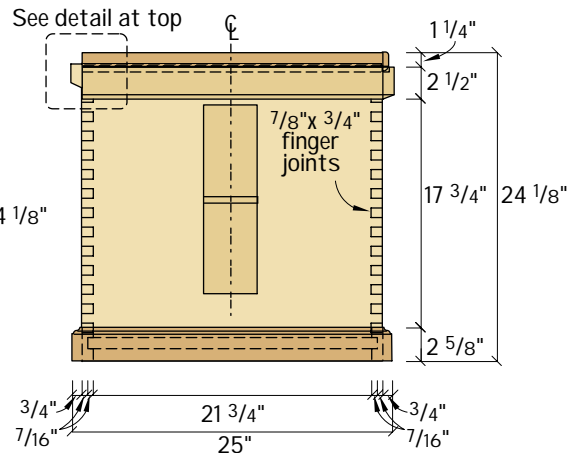
Detail of till runner



Detail of cleat



Elevation (Cut away to show detail)



Profile

Schedule of Materials: Seaton's Case

No.	Item	Dimensions T W L	Material
2	Sides	7/8" x 23 1/4" x 23 1/2"	Pine
2	Front & back	7/8" x 23 1/4" x 35 1/2"	Pine
1	Top	7/8" x 23 1/2" x 35 1/2"	Pine
1	Bottom	7/8" x 22 5/8" x 34 5/8"	Pine
2	Cleats	1 1/2" x 4 3/4" x 14 3/4"	Pine
2	Runners	1 1/4" x 3 1/16" x 21 3/4"	Pine
Bottom moulding		11' of 3/4" x 2 5/8" moulding	
Top moulding		11' of 7/8" x 2 1/2" moulding	
Lid moulding		11' of 1/2" x 1 3/8" moulding	

Schedule of Materials: Seaton's Tool Till

No.	Item	Dimensions T W L	Material
2	Sides	3/4" x 11" x 11"	Veneered pine
1	Back	3/4" x 11" x 32 3/4"	Veneered pine
1	Top	3/4" x 11" x 33 1/2"	Walnut
1	Bottom	3/4" x 10 5/8" x 32 3/4"	Pine
1	Front	3/4" x 2 1/2" x 32"	Veneered pine
3	Horz. dividers	3/8" x 10 5/8" x 32 3/4"	Pine
2	Vert. dividers, top	3/8" x 2 1/8" x 5"	Pine
2	Vert. dividers, mid	3/8" x 2 3/8" x 5"	Pine
2	Vert. dividers, bot	3/8" x 3 5/8" x 5"	Pine

NOTE: The Schedule of Materials for the drawers is in the PullOut Plans, as is the construction drawing for the tool till.

SUPPLIES: Lee Valley Tools 800-871-8158. Chest lock \$10.95, item# 12K04.01 • Case hinges \$20.25 a pair, item# 00D03.04 • Till hinges \$17.50 a pair, item# 00D06.02 • Flush ring pull \$12.50, item# 00L02.02