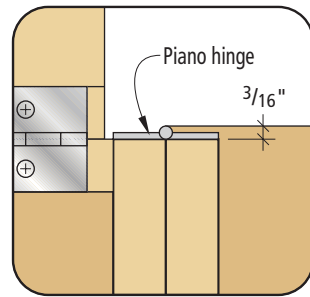
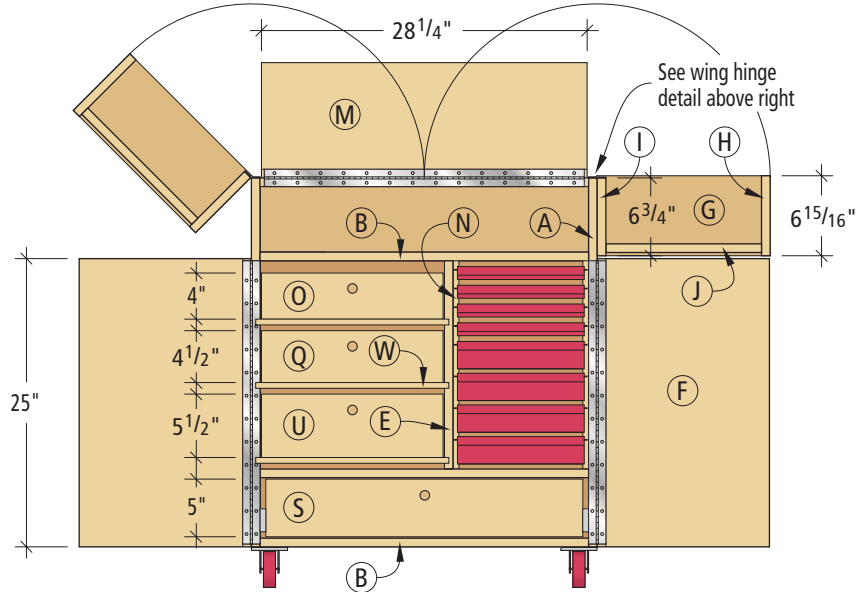


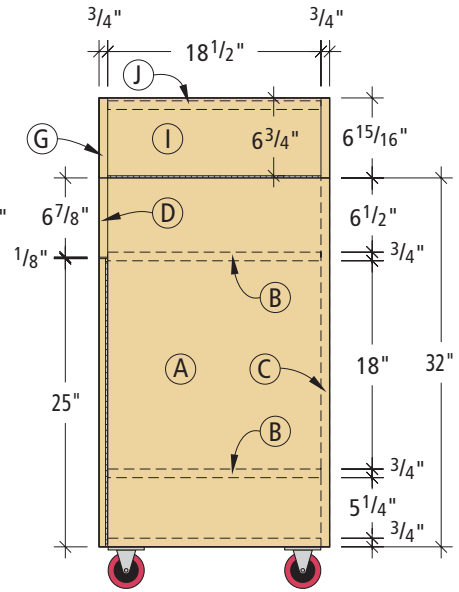
Plan



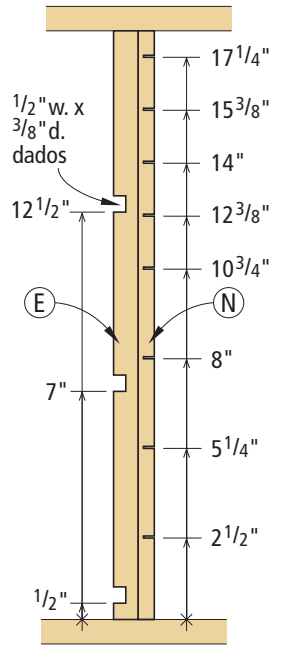
Wing hinge detail



Elevation



Profile



Drawer dado layout

GERMAN WORK BOX

Case	NO.	LTR.	ITEM	DIMENSIONS (INCHES)				MATERIAL
				T	W	L	L	
<input type="checkbox"/>	2	A	Sides	3/4	19 1/4	32	Shop plywood	
<input type="checkbox"/>	3	B	Shelves & bottom	3/4	18 1/2	28 1/2	Shop plywood	
<input type="checkbox"/>	1	C	Back	3/4	28 1/2	32	Shop plywood	
<input type="checkbox"/>	1	D	Front	3/4	6 7/8	30	Shop plywood	
<input type="checkbox"/>	1	E	Divider	3/4	18	18	Shop plywood	
<input type="checkbox"/>	2	F	Doors	3/4	14 15/16	25	Shop plywood	
<input type="checkbox"/>	4	G	Wing front & back	3/4	6 15/16	15	Shop plywood	
<input type="checkbox"/>	2	H	Wing sides	3/4	6 15/16	18 1/2	Shop plywood	
<input type="checkbox"/>	2	I	Wing sides	3/4	6 3/4	18 1/2	Shop plywood	
<input type="checkbox"/>	2	J	Wing panels	3/4	13 1/2	18 1/2	Shop plywood	
<input type="checkbox"/>	1	K	Till support	3/4	5 1/2	28 1/2	Shop plywood	
<input type="checkbox"/>	1	L	Till lid spacer	3/4	3/4	28 1/4	Maple	
<input type="checkbox"/>	1	M	Till lid	3/4	10	28 1/4	Shop plywood	
<input type="checkbox"/>	2	N	Drawer section sides	1/2	12	18	Shop plywood	

Drawers

<input type="checkbox"/>	2	O	Drawer front & back	1/2	4	15 3/4	Baltic birch
<input type="checkbox"/>	2	P	Drawer sides	1/2	4	17 1/2	Baltic birch
<input type="checkbox"/>	2	Q	Drawer front & back	1/2	4 1/2	15 3/4	Baltic birch
<input type="checkbox"/>	2	R	Drawer sides	1/2	4 1/2	17 1/2	Baltic birch
<input type="checkbox"/>	2	S	Drawer front & back	1/2	5	27 1/2	Baltic birch
<input type="checkbox"/>	2	T	Drawer sides	1/2	5	17 1/2	Baltic birch
<input type="checkbox"/>	2	U	Drawer front & back	1/2	5 1/2	15 3/4	Baltic birch
<input type="checkbox"/>	2	V	Drawer sides	1/2	5 1/2	17 1/2	Baltic birch
<input type="checkbox"/>	3	W	Drawer bottoms	1/2	16 3/4	18	Baltic birch
<input type="checkbox"/>	1	X	Drawer bottom	1/2	17 1/2	27	Baltic birch